



भाकृअनुप-राष्ट्रीय प्राकृतिक रेशा अभियांत्रिकी एवं प्रौद्योगिकी संस्थान
ICAR-National Institute of Natural Fibre Engineering and Technology
(पूर्व भाकृअनुप.निरजैफ्ट Erstwhile ICAR-NIRJAFT)



भारतीय कृषि अनुसंधान परिषद INDIAN COUNCIL OF AGRICULTURAL RESEARCH
12, रीजेन्ट पार्क, कोलकाता -700040 12, REGENT PARK, KOLKATA -700040
(आईएसओ 9001:2015 प्रमाणित संस्थान ISO 9001:2015 CERTIFIED INSTITUTE)
दूरभाष Phone: 2471-1807 (निदेशक Director), 24212115/16/17 (ईपीवीएक्स स EPBX), फैक्स Fax: ++91-33-24712583
ई-मेल E-Mail- director.ninfet@icar.gov.in, nirjaftdirectorcell13@gmail.com, वेबसाइट/Website:
www.nirjaft.res.in

F.. No: 5/(2)/Adm.III/NINFET/e-Tender/Dev. of an integrated instrument for pine apple leaf fibre /2020-21

Date: 11.01.2021

NOTICE INVITING TENDER THROUGH E-PROCUREMENT

Online Bids are invited from interested firms under single bid system for “Development of an integrated instrument for pineapple leaf fibre at ICAR NINFET, 12 Regent Park, Kolkata-700040”. Manual bids shall not be entertained.

Tender documents may be downloaded from e-Procurement website of CPP Portal <https://eprocure.gov.in/eprocure/app> and also from ICAR-National National Institute of Natural Fibre Engineering and Technology website www.nirjaft.res.in and submitted through online at CPPP as per the schedule as given in CRITICAL DATE SHEET as under:

CRITICAL DATE SHEET

Tender ID	2021_DARE_608801_1
Date and Time for Issue/Publishing	04:00 P.M on 11.01.2021
Document Download Start Date and Time	05:00 P.M on 11.01.2021
Bid Submission Start Date and Time	11:00 A.M on 12.01.2021
Bid Submission & EMD Submission End Date and Time	02:30 P.M on 01.02.2021
Date and Time for Opening of Technical Bid	02:30 P.M on 02.02.2021
Address for Communication	Director, ICAR NINFET, 12 Regent Park, Kolkata-700040
For any clarification, please contact	Swarnali Mukherjee Asstt. Administrative Officer(Adm III) Contact:033-24212115/16/17

Sd/-

Asstt. Administrative Officer (Adm III)

TERMS & CONDITIONS :

1. Tender Document can be downloaded from the ICAR-NINFET website www.nirjaft.res.in or from the Central Public Procurement Portal URL:<http://eprocure.gov.in/eprocure/app>. Bidders should enroll/register in the e-procurement module of Central Public Procurement Portal through the website: URL:<http://eprocure.gov.in/eprocure/app> for participating in the bidding process. Bidders should also possess a valid Digital Signature Certificate (DSC) for online submission of bids
2. The interested Firms are required to deposit (in original) **Earnest Money Deposit (EMD)** of **₹22,500/-** (Twenty two thousand five hundred only) in the form of Demand Draft from any of the scheduled Bank in favour of "ICAR NINFET" payable at Kolkata so as to reach on or before bid opening date and time as mentioned in the Critical Date Sheet, otherwise the tender will not be considered. If the firm is seeking exemption, they should submit the concerned certificate of exemption in relevant field issued from the competent authority. ICAR NINFET will not be liable for any postal delay. The EMD will be returned to the unsuccessful bidders after completion of tender evaluation process. No interest on Security Deposit and Earnest money deposit shall be paid by the ICAR NINFET to the tenderer.
3. The firm, after submitting tender, will not be permitted to withdraw their offer or modify the terms and conditions thereof. If the firm fails to observe and comply with the foregoing stipulation, EMD will be forfeited. In the event of the offer made by the firm not being accepted, the amount of EMD will be refunded. No interest will be paid on EMD.
4. No extra payment shall be paid on account of any discrepancy in nomenclature of service. While submitting the tender, if any of the prescribed conditions are not fulfilled or are incomplete in any form, the tender is liable to be rejected. If any tenderer stipulate any condition of his own, such conditional tender is liable to be rejected.
5. Any change/corrigendum/extension of opening date in respect of this tender shall be issued through websites only and no press notification will be issued in this regard. Bidders are therefore requested to regularly visit our website www.nirjaft.res.in for updates.
6. If the date fixed for opening of Tenders is subsequently declared a holiday, the tenders will be opened on the next working day following the holiday but there will be no change in the time for opening indicated above.
7. The tender must be in the prescribed formats only and shall be accompanied with all other necessary documents. The consolidated amount with breakup of the GST amount has to be indicated in Indian Rupees both in words and figures (in the prescribed proforma of Financial Bid-BOQ).
8. The successful bidder shall have to deposit 5% of the total bid amount as performance security and within the time frame indicated by the ICAR NINFET. Performance Security must be made valid till the end of 60 days beyond the expiry of the all contractual obligations including the Warranty obligations calculated from the date of award of contract. The same shall stand forfeited in case of cancellation of the contract for any breach of contract or for any deficiency in the performance noticed during the currency of the contract.
9. The tendering firm has to carefully assess the scope of work with specific reference to the inside and outside premises of the building and understand the details of the infrastructure/facilities requisitioned. The tenderer may, in their own interest, inspect the site ICAR NINFET, 12 Regent Park, Kolkata 700040, where the services are to be provided. For any clarification (s) as to the tender/scope of work or inspection of the premises, the prospective bidders may contact Dr.

L.Ammayappan, Pr Scientist, C&BP Division of ICAR NINFET, Kolkata-700040 with prior appointment on phone no.033-24212115/16/17 (extn 230) on any working day between 3 to 4 PM.

10. The tenderer are liable to be ignored if complete information as required is not given therein or if the particular asked for in the schedules to the tenders is not fully filled in. Person signing the tenders or other documents must ensure that he is an authorized person on behalf of the firm to do so. The person signing the tenders form or any other documents forming part of the contract on behalf of another shall be deemed to warranty that he has authority to bind such other and if, on enquiry it appears that the person so signing had no authority to do so, ICAR NINFET shall without prejudice to other civil and criminal remedies cancel the contract and hold the signatory liable for all costs and damages. Each page of the tenders and the schedules to the tenders and annexure, if any, should be signed by the tenderer.
11. Acceptance by ICAR NINFET will be communicated by letter or any other form of communication. Formal letter of acceptance and work order of the Tenders will be forwarded as soon as possible, but the earlier instructions in the FAX, email/Express letter etc. should be acted upon immediately.
12. The Contract will be strictly monitored as per Scope of work given in Annexure I in respect of minimum standard defined in the said Annexure. In case any shortcomings or deficiencies are noticed during the currency of contract period or any other contractual dispute, the contract can be terminated by giving writing intimation. The decision of the Director, ICAR NINFET in this regard shall be final and binding.
13. If the contract is terminated on the grounds of glaring shortcomings or deficiencies during the currency of its tenure including extended tenure, if any, ICAR NINFET shall have all rights to make suitable alternative arrangements and the cost, if any, will be borne by the agency/contractor.
14. The rates quoted by the Agency should be inclusive of all taxes, packing & forwarding charges and FOR delivery at ICAR NINFET. It shall be fixed for the period of the contract and no request for any change/ modification shall be entertained before expiry of the period of the contract. The rates quoted shall be valid for a minimum period of 60 days from the last date fixed for the receipt of quotations. Delivery along with installation of the item should be done within 45 days from the date of purchase order from ICAR NINFET.
15. Payment will be made through e-transfer mode after satisfactory execution of the assignment and on production of pre-receipted bills in triplicate. Bank Account No, Account Holders Name, Branch Name and IFSC code of the bank must be given in NEFT mandate form, failing of which payment will not be released. Tax will be deducted at source as per rule, if applicable.
16. The supplied instrument must have one year warranty on mechanical and electronic components starting from date of installation against manufacturing defects.
17. The free technical support should be given during sample testing and initial phase of operation of instrument within 2 months from date of installation.
18. The Schematic diagram, Circuit diagram, Software or any other relevant documents for development of equipment will be the sole property of ICAR NINFET and to be handed over to ICAR NINFET on or before installation of the equipment. The IPR knowhow, of the developed equipment will be the commercial secret and to be remained with ICAR NINFET.

19. Liquidated Damages clause:

- (i) Contractor shall be responsible for the faithful compliance of scope of work mentioned in Annexure I.
 - (ii) Any authorized person may inspect the premises to see the work carried out by the agency .Shortfall, if any, will be communicated to the agency/ contractor in writing/ email by ICAR NINFET. In the event of any shortfall or services found unsatisfactory, Liquidated Damage clause will be invoked by levying a penalty @Rs. 500/- per day. The Liquidated Damage amount will be deducted from the bill of the agency.
 - (iii) After three such incidents of un-satisfactory reports, the contract shall be liable to be terminated. Performance Security will also be withheld in full or part. Final decision for invoking penalty will be taken at the level of Director, ICAR NINFET.
20. Any dispute arising out of and in relation to this agreement shall be referred the Director, ICAR NINFET. His decision will be binding on the firm.
21. The Tender Committee (TC) constituted by the Director, ICAR-NINFET shall have the right to verify the particulars furnished by the bidder independently and to relax the minor deviations/shortfalls.
22. ICAR-NINFET reserves the right to accept/reject any or all the tenders in part/full without assigning any reason thereof.
23. All the communications with respect to the tender shall be addressed to: The Director, ICAR-NINFET, 12 Regent Park, Kolkata-700040
- The Firms are required to upload copies of the following documents for technical consideration:-
- TECHNICAL Part**
- a) Earnest Money Deposit (EMD) or its exemption (MSME/NSIC in relevant field), if any.
 - b) Documentary Proof whether the firm is proprietary firm or partnership firm or JV(Joint Venture) or a Company registered in Company Act 1956(amended in 2013). Copy of Registration certificate or Trade license mentioning the said details should be submitted.
 - c) Copy of PAN Card.
 - d) Copy of GST Registration Certificate.
 - e) Tender Acceptance letter & details of the firm on the letter head (Annexure-II & Annexure-III).
 - f) Copies of proof of Last five years experience in relevant field from the clients in Central Govt. establishments/Autonomous bodies of Govt. of India /State Govt/PSU/Central Universities etc.
 - g) Copy of Income Tax Return (ITR) for the last three assessment years i.e. for the assessment year 2018-19, 2019-20, 2020-21
 - h) Copy of certified balance sheet along with P&L account/certificate from Chartered Accountant for turnover of the firm for last two assessment years i.e. for Assessment Year 2018-19 and 2019-20 showing annual turnover of ₹20.00 lakhs or more.
 - i) Copy of the Affidavit to the effect that the firm has not been blacklisted by any Govt. Office/Institute/ICAR for any reason. The Affidavit so provided should not be more than 6 months old otherwise the tender will be rejected
 - j) Complete Bank Details of the Firm in NEFT mandate form Viz. Name of the Bank and Branch, Address, type of Account No, IFS Code, MICR Code and PAN No.

FINANCIAL Part

- k) Price Bid - Must quote the entire amount including GST as per BOQ. The cost is inclusive of transportation, labour charge, taxes, others (if any) etc. ICAR NINFET will not bear any extra cost on any account.

The details of the work or service to be performed by the contractor:

Description of Item: Development of an integrated instrument for pineapple leaf fibre
General Features and Functional Description:

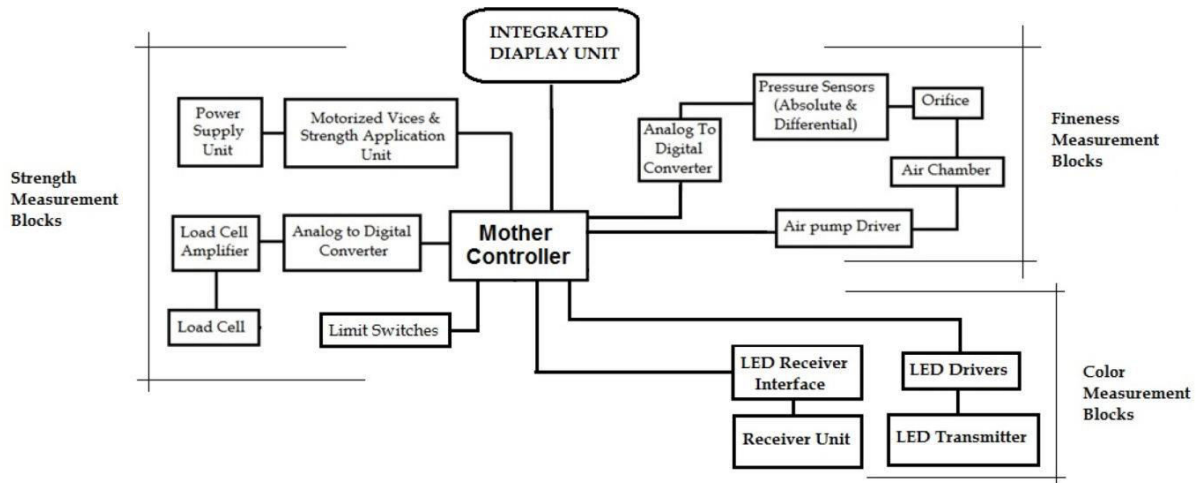
Units	Component List	Quantity
Strength Measurement Unit : Mechanical	High Torque Geared Motor DC12V 100RPM	2
	High Torque Geared Motor DC12V 50RPM	1
	Vice Unit mounted on metal blocks	2
	Gear Pulley	6
	Structural Base	1
	Limit Switch	2
	Load Cell Sensor	1
	Relay Drivers 12V10A	3
Fineness Measurement Unit : Mechanical	Air pump	1
	Air storage chamber	1
	Air flow regulator	1
	Fibre Holder	1
	Orifice and connector set	1
Colour Measurement Unit	Colour sensor signal conditioner	1
	Transmitter LED Driver	1
	Sensor Housing	1
,Electronics Hardware & Firmware,	Schematic & PCB Development	1
	User Interface	1
	Sensor Interface	1
	Mother Controller	1
	Integrated Display	1
	Firmware development	1
	Power supply 12V 5V	1
External Encasing	Encasing & Assembly	1

Note : Time needed for supply : 45 days after receiving PO

Note : Calibration of the instrument will be performed by ICAR NINFET itself

Details of block diagrams and its required specifications

Schematic diagram of integrated instrument for pineapple leaf fibre



2. The facilities and the inputs which will be provided to the contractor by the Ministry or Department;

- (i) The contractor will have to complete manufacturing process in their own premises
- (ii) The flow chart and block diagram for necessary specification will be provided by the department

ANNEXURE II

TENDERER TO FILL UP THIS PAGE (In the Letterhead of the Firm) and submit the scanned copy against the first label of the Technical cover.)

1 (a) Name of the Tenderer firm/ Organization/ Agency:

(b) Name of the Proprietor/ Partner:

2. Office Address of the Firm:

3. Telephone/ Mobile No. :

4. Fax No. :

5. E-mail Address:

6. Website address if any:

7. EMD details (DD No, Date, Amount and Bank Name)

Or EMD exemption certificate (NSIC/MSME) UAN No. :

8. i) Trade License No:

ii) PAN No:

iii) GST No:

9. i) Firm's Bank Account No and Type of Account:

ii) Name of Bank & Branch:

iii) IFSC Code No:

10. Name of Public Sector/Govt. organization/PSU/Central Universities to whom similar services have been provided by the firm during the last four years:

11. Name of authorized representative(s):

12. Whether proprietary or partnership Firm or Company:

Signature of Authorized person of the

Firm/Agency with seal

Tender Covering Letter

(CERTIFICATE TO BE GIVEN ON LETTER HEAD AS PART OF TECHNICAL BID)

To
The Director
ICAR NINFET,
12 Regent Park,
Kolkata-700040

Sir,

It is confirmed that I/we have fully understood the scope of work and all other requirements for Development of an integrated instrument for pineapple leaf fibre at ICAR NINFET, 12 Regent Park, Kolkata-700040”.

1. I have understood the total quantum of work by going through the tender document and/by visiting the campuses. I/We gathered all information needed to understand the requirement of this service contract as per the given details in the prescribed Annexures of the Tender documents.
2. I/We have hereby agree to the Terms and Conditions of the Contract as detailed in the tender documents and if given an opportunity to provide services, then agree to execute an agreement as per prescribed proforma given in financial bid.
3. I/We undertake that the documents enclosed herewith are genuine and no material/facts have been concealed or suppressed.
4. I/ We undertake that there are not any legal suit/criminal cases pending against our firm for violation of laws and there is no criminal/ legal suit pending or contemplated against us.
5. I/ We are not blacklisted by any Central/ State Government organization in the field of providing service contract for the development/fabrication service of any Instrument
6. We also understand that the contract is liable to be cancelled if found to be obtained through fraudulent means or by concealment of information/facts.
7. This offer is made to be valid for acceptance by ICAR NINFET within 60 days from the date of opening of the technical bid.

(Signature of authorized representative of the firm)

Stamp/Seal of the firm